

Ø 355.00mm X 32.00mm  
BRAKE DISC

STICK TO CARD THEN  
CUT AROUND OUTER  
PROFILE

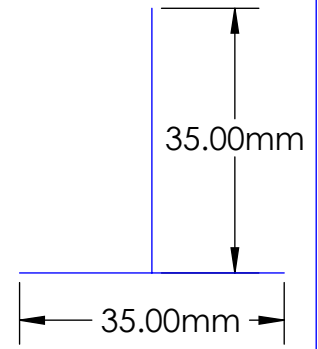
LOCATE WHEEL  
SPIGOT IN WHEEL  
AND ROTATE,  
ENSURE THAT THERE  
IS A MINIMUM OF  
3mm CLEARANCE  
ON ALL EDGES

CALIPER

FLOATING HUB

Ø 70.60mm Ø  
WHEEL SPIGOT

CHECK REF DIMS  
TO ENSURE THAT  
THE DRAWING  
HAS PRINTED TO  
CORRECT SCALE



REF DIMS

TPL020 - 355 BBK - Ford Mustang GT gen 5

EBC Technical:KITS@EBCBRAKES.COM

